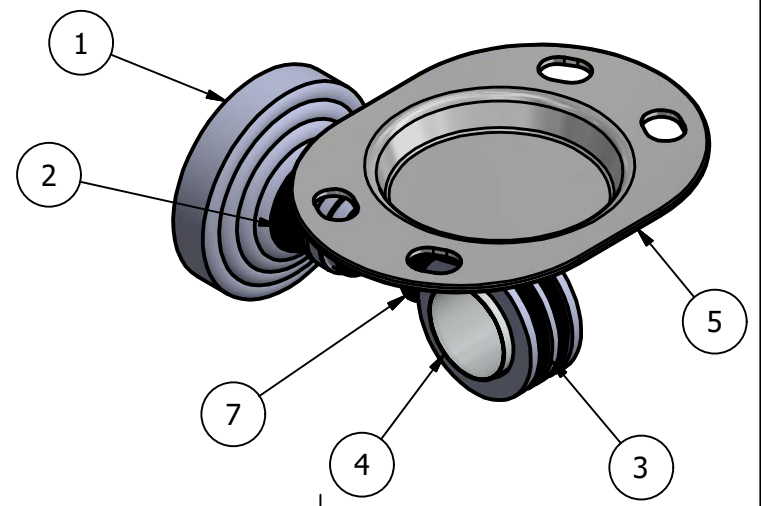
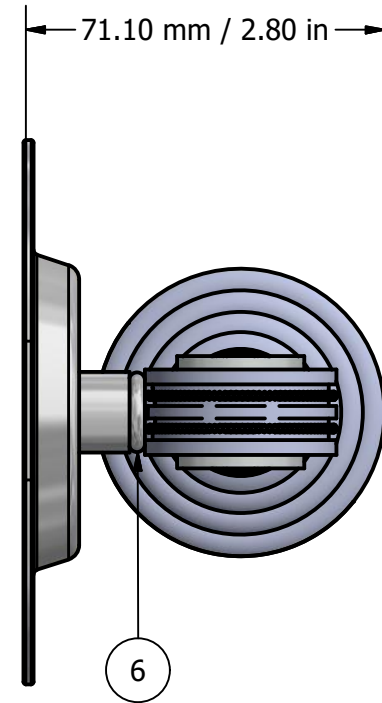
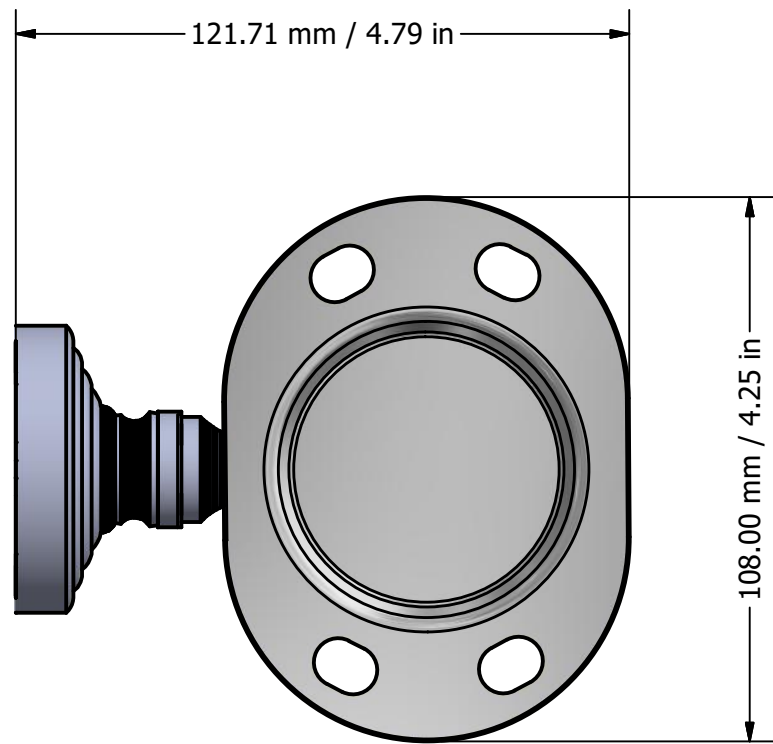


PARTS LIST			
ITEM	QTY	PART NUMBER	DESCRIPTION
1	1	BPWV	BACKPLATE
2	1	NKSL-58	NECK
3	1	RGDTD-1	RING WITH NEW SIZE
4	1	AC-HHUB	ACRYLIC POST
5	1	HROVT	HOLDER
6	1	CRRD-12	CHECK RING
7	1	NKSL-1.25	NECK



UNLESS OTHERWISE SPECIFIED	
.X	± .3mm
.XX	± .15mm
.XXX	± .008mm

UNIT IS IN MM.

DRAWN	10-15-18	IM	MATERIAL:	BRASS
CHECKED	10-15-18	P.D.	DESCRIPTION:	
APPROVED	10-15-18	R.A.		

Pacific Grove Collection
Tumbler and Toothbrush
Holder w/ Dotted Accent



APPROVED FOR PRODUCTION
By: RICHARD PAUL
Date: 10-15-18

FINISH	TBD
QTY	TBD
DRAWING NO.	REV
PG-26D	0
SCALE	1.5:1 SHEET: 1 OF 1 A4

2

1